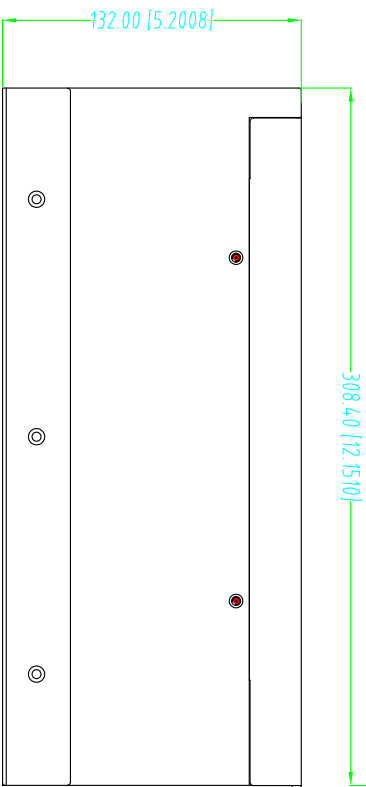
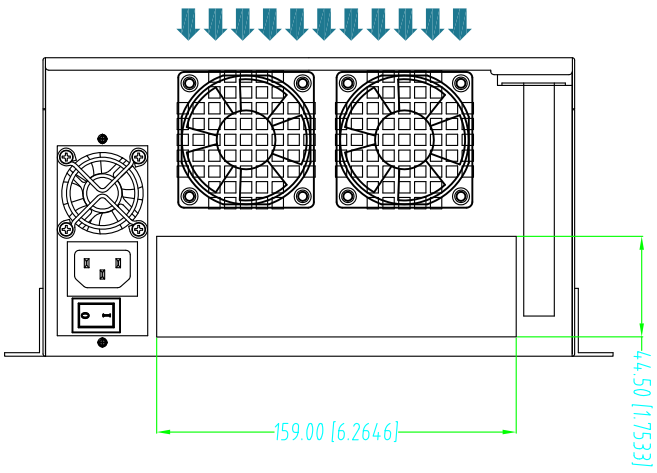
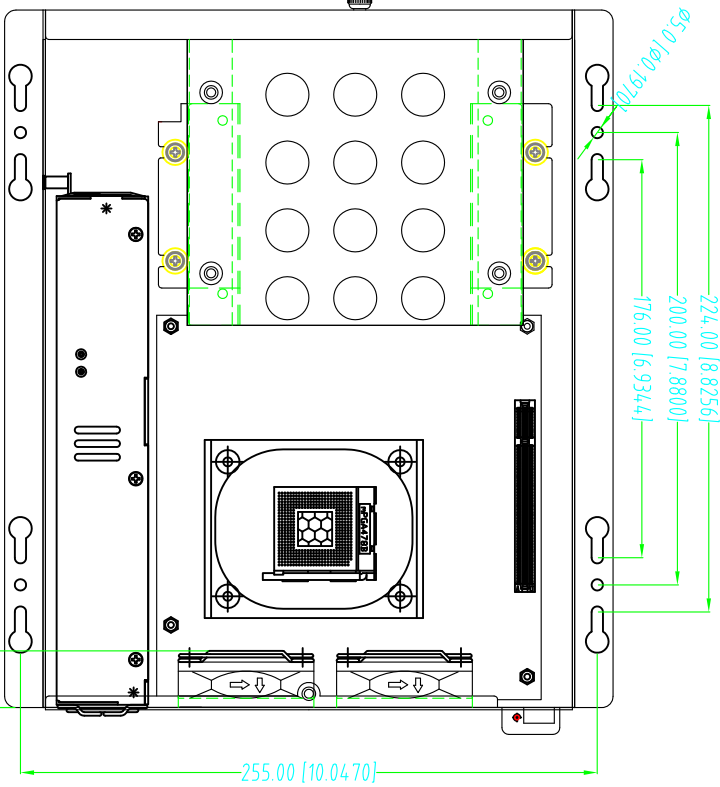
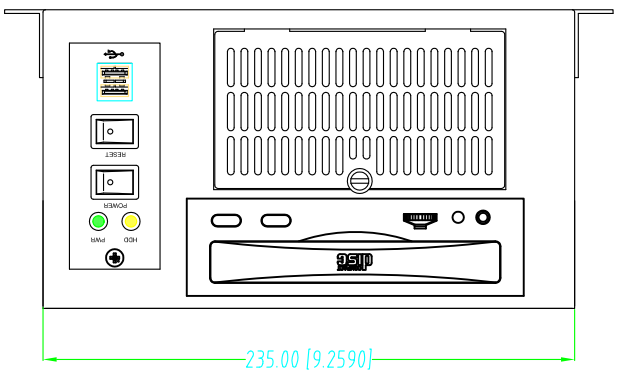


1	2	3	4	5	6	7	8	9	10
REV.	DATE	DESCRIPTION	SIGNATURE						
1	XX	XX	XX						



# MI-301-B

This drawing contains proprietary information. Any duplication or use of this drawing, in whole or in part, without a written consent from ADEK, Inc. or its subsidiaries is strictly prohibited.

**ADEK** KING JURY  
 PROJ SCALE 1 : 1  
 DO NOT SCALE DWG

**TOLERANCES UNLESS TITLE**  
 DECIMAL .XX ±0.12  
 FRACTIONAL XX ±0.25  
 ANGULAR X ±1°

**FILE NO** DIA DRAWING  
**MATERIAL** SGGC T=1.0  
**REV.** 6.0  
**UNIT** mm

DGN Andy  
 DRW 2016/06/10

JB-04-01 1 2 3 4 5 6 7 8 9 10